

Catalog Number	
Notes	Type



Description:

The Mirage Series provides a minimum of 90 minutes of emergency illumination upon AC input failure utilizing fully recessed, or surface mounted, concealed 12V MR16 lamps. Ideal for aesthetic applications that require "invisible" emergency lighting. Door/Lamp Assembly turns 180 degrees upon failure of AC power.

Construction:

Housing is constructed of 20 ga. galvanized steel, including .75" knockouts. Housing includes vertically adjustable mounting plates to allow for flush mounting. Bar hangers are not included. Door/Lamp Assembly has powder coated white finish standard.

Lamps:

Standard unit utilizes (2) 12 volt MR16 lamps. Each lamp is mounted on a double gimbal ring to allow lamp aiming in all directions.

Motor:

The Mirage Series utilizes a sealed, 12 VDC D shaft motor. The motor's D shaft is locked in place allowing the motor to turn 180 degrees upon failure of AC power. The motor is clamped to the inside of the Door/Lamp Assembly. The motor includes an integrated gear head to accomplish 180 degree rotation in .70 seconds. DC sensor circuit shuts off motor after the door assembly opens to ensure flush alignment.

Battery:

Sealed maintenance free lead calcium. Various selected capacities provide 27W to 150W for a minimum of 90 minute run time. Low voltage disconnect prevents deep discharge. Battery will automatically recharge after AC power is reconnected. Optional Nickel Cadmium battery. Extended run times are available, consult options.

Installation:

Recessed or Surface mount, wall or ceiling mount. Rough in section includes vertically adjustable mounting plates to ensure flush installation. T-bar clips secure unit in grid ceiling mount applications. Lamps can easily be aimed after Door/Lamp Assembly is installed.

Electronics:

Dual voltage input, 120 VAC or 277 VAC. Charger circuit board includes reverse battery protection, low voltage disconnect, and brownout sensing logic. The DC sensor board includes an integrated chip that controls motor operation upon loss of AC input power.

Door/Lamp Assembly:

The Door/Lamp Assembly is powder coated white standard. The assembly utilizes a fully recessed AC indicator and push button test switch. Door/Lamp Assembly opens within .70 seconds upon AC input failure.

Listing/Code Compliance:

- ETL listed to UL 924.
- Life Safety NFPA 101, NEC/OSHA

Warranty:

- Battery, 5 years pro-rata.
- Charger board, 5 years.
- Motor Assembly, 5 years.

**MIRAGE
SERIES**

*Concealed
Emergency Unit
12V*

*Recessed or Surface
Wall or Ceiling*

ORDERING INFORMATION

SAMPLE CAT#: EMR-12-100-250

COMPLETE UNITS:

Series	Voltage	Wattage	Lamps	Options
EMR Recessed Wall or Ceiling	12	27 54	212 2 12W 220 2 20W	PT Plaster Trim SM Surface Mount
EMS Surface Wall or Ceiling		75 100 150	235 2 35W 250 2 50W 275 2 75W	R Retrofit NC Nicad Batteries TD Time Delay IR IR Test Option R* Specify Run Time

ROUGH IN SECTION ONLY:

Add Prefix "RIS"
Add Prefix "SM"

DOOR/LAMP ASSEMBLY ONLY:

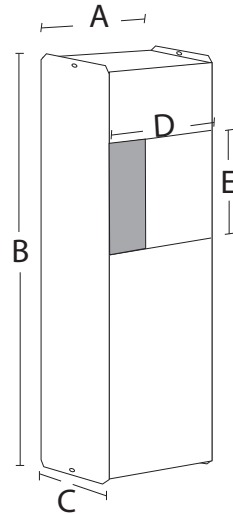
Add Prefix "DLA"



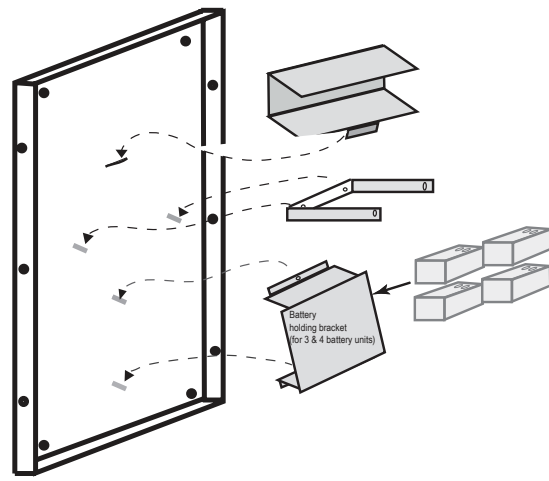
Mirage Series

Total Wattage	Back Box Dimensions			Ceiling Cutout		Door Assembly	
	A	B	C	D	E	F	G
27W	6.75"(8")	18.5"(18.5")	3.5"(3.5")	6.75"	7.25"	8"	8"
54W	6.75"	22.5"	3.5"	6.75"	7.25"	8"	8"
75W	6.75"	22.5"	3.5"	6.75"	7.25"	8"	8"
100W	6.75"	22.5"	3.5"	6.75"	7.25"	8"	8"
150W	6.75"	27.0"	3.5"	6.75"	7.25"	8"	8"

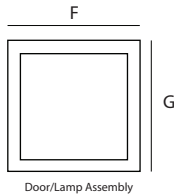
**() indicates surface mount dimensions



Recessed Back Box



Surface Mount Plate



Door/Lamp Assembly

SPECIFICATIONS

ELECTRICAL

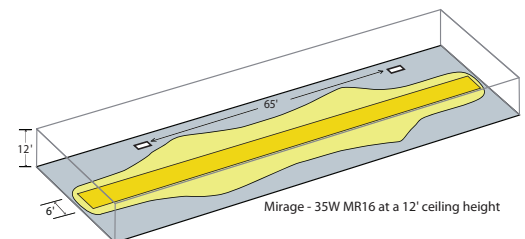
Primary Circuit

Type	AC Input Volts	Max Amps	Input Watts	Output Volts	Output 1-1/2hr.
EMR1227	120	.20	18	12	24W
	277	.20	18		
EMR1254	120	.20	20	12	40W
	277	.20	20		
EMR1275	120	.20	20	12	70W
	277	.20	20		
EMR12100	120	.20	22	12	100W
	277	.20	22		
EMR12150	120	.20	22	12	150W
	277	.20	22		

PHOTOMETRICS

Recommended Center-to-Center Spacing

Lamp Type	Ceiling Height			
	10'	12'	16'	20'
12W	17'	17'	16'	16'
20W	36'	36'	34'	34'
35W	65'	65'	58'	64'
50W	70'	70'	70'	70'
75W	130'	140'	134'	140'



Mirage - 35W MR16 at a 12' ceiling height

Meets Life Safety Code standard minimum illuminance of 0.1 FC and average illuminance of 1.0 FC. Assumes fixture is ceiling mounted in a 200'x200'L open area and reflectances of 80/50/20.

Note: All spacings are intended to be guidelines. Results will vary if application deviates from dimensions or assumptions stated above.