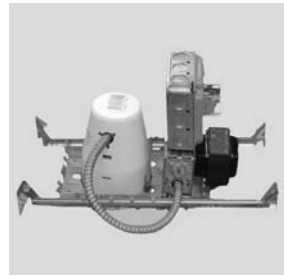


Catalog Number	
Notes	Type



## ELVR1 Series

**12 Volt Remote Relay Powers any 12 Volt Lamp Connects MR16 or MR11 downlights to remote battery**



### Applications:

The Encore Low Voltage Relay, Model ELVR1, emergency lighting interface system allows use of MR16 "always on" 120 VAC or 277 VAC lighting fixtures to operate with Battery back-up power. A selected and connected normal "always on" lighting fixture will remain illuminated for 90 minutes during a power failure. Can be used with magnetic or electronic transformer.

### Operation:

The Encore ELVR1 must be paired up with an appropriately sized 12 Volt emergency light, (battery pack). A few simple connections at the remote MR16 fixture where the ELVR1 is mounted means fast installation. Only two (2) wires need be brought back to the battery pack, as with any remote fixture.

### Construction/Installation:

Contained in a 4" junction box, the Encore ELVR1 can be mounted in many convenient locations near\* the remote fixture or at the battery pack. \*Near is most convenient.

### Wiring:

Most MR16 lamp sockets are spliced to the fixture transformer secondary using wire nuts. Simply remove these wire nuts to disconnect the lamp socket leads from the fixture transformer secondary leads. Then splice together one lamp socket wire to the WHITE lead on the ELVR1 labeled "MR16 Lamp Lead ONLY" using a wire nut - then splice together the other lamp socket wire to the remaining WHITE lead on the ELVR1 labeled "MR16 Lamp Lead ONLY" using a wire nut.

Next splice one of the fixture transformer secondary wires to the ORANGE lead on the ELVR1 labeled "Fixture Transformer, Secondary Lead ONLY" using a wire nut. Repeat on other fixture transformer wire and remaining ORANGE lead on the ELVR1 labeled "Fixture Transformer, Secondary Lead ONLY" using a wire nut.

Lastly, splice the appropriate sized wires, (see WIRE CHART below - incorrectly sized wire will cause faulty operation), to the VIOLET AND YELLOW leads on the ELVR1 labeled "Emergency Light Output ONLY", secure with wire nuts. Run these two (2) wires to the battery pack and connect to Violet and Yellow "REMOTE OUTPUT" splicing leads.

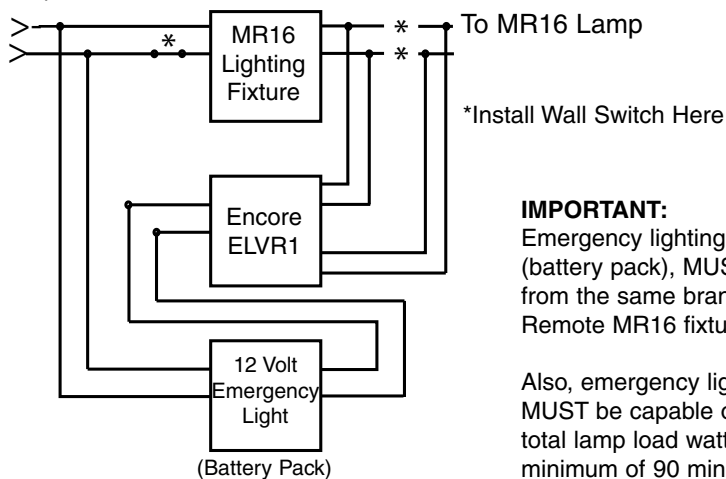
### DO NOT EXCEED THE WATTAGE RATING OF THE EMERGENCY LIGHT.

See wiring diagram below.

### IMPORTANT:

**One ELVR1 is required for each lighting fixture selected to operate the fixture in emergency mode.**

Normally-On  
AC Input



### IMPORTANT:

Emergency lighting unit, (battery pack), MUST BE fed from the same branch as Remote MR16 fixture.

Also, emergency lighting unit MUST be capable of supplying total lamp load wattage for minimum of 90 minutes.

WIRING DISTANCE IN FEET (Maximum Voltage Drop 5%)  
12 volt wire size

Watts	#12	#10	#8	#6	#4
9	272	436	692	1080	-
13	165	260	415	660	1050
18	110	190	300	475	760
25	85	136	215	340	540
30	71	112	180	285	455
35	61	97	154	245	390
50	42	68	108	170	275
60	35	52	90	140	225
75	29	45	72	114	182

